

PATENT COOPERATION TREATY

PCT

From the INTERNATIONAL BUREAU

NOTIFICATION OF ELECTION

(PCT Rule 61.2)

To:

Assistant Commissioner for Patents
 United States Patent and Trademark
 Office
 Box PCT
 Washington, D.C.20231
 ETATS-UNIS D'AMERIQUE

in its capacity as elected Office

Date of mailing (day/month/year) 23 October 2000 (23.10.00)	
International application No. PCT/AU00/00203	Applicant's or agent's file reference 2274099/AXD
International filing date (day/month/year) 17 March 2000 (17.03.00)	Priority date (day/month/year) 17 March 1999 (17.03.99)
Applicant BRAMWELLS, Hugh, William	

1. The designated Office is hereby notified of its election made:

in the demand filed with the International Preliminary Examining Authority on:

 10 October 2000 (10.10.00)

in a notice effecting later election filed with the International Bureau on:

2. The election was
 was not

made before the expiration of 19 months from the priority date or, where Rule 32 applies, within the time limit under Rule 32.2(b).

The International Bureau of WIPO 34, chemin des Colombettes 1211 Geneva 20, Switzerland	Authorized officer R. E. Stoffel
Facsimile No.: (41-22) 740.14.35	Telephone No.: (41-22) 338.83.38

PATENT COOPERATION TREATY

PCT

COMMUNICATION IN CASES FOR WHICH
NO OTHER FORM IS APPLICABLE

From the INTERNATIONAL BUREAU

To:

DARK, Andrew, David
Davies Collison Cave
1 Little Collins Street
Melbourne, Victoria 3000
AUSTRALIE

Date of mailing (<i>day/month/year</i>) 26 February 2001 (26.02.01)	
Applicant's or agent's file reference 2274099/AXD	REPLY DUE see paragraph 1 below
International application No. PCT/AU00/00203	International filing date (<i>day/month/year</i>) 17 March 2000 (17.03.00)
Applicant BRAMWELLS, Hugh, William	

1. REPLY DUE within _____ months/days from the above date of mailing
- NO REPLY DUE, however, see below
- IMPORTANT COMMUNICATION
- INFORMATION ONLY

2. COMMUNICATION:

Please disregard the "Notification of the Recording of a Change" Form PCT/IB/306 dated 24 November 2000 (24.11.00) mailed by error.

A copy of this notification has been sent to the receiving Office (RO/AU), the International Preliminary Examining Authority (IPEA/AU) and to the elected Offices concerned.

The International Bureau of WIPO 34, chemin des Colombettes 1211 Geneva 20, Switzerland Facsimile No. (41-22) 740.14.35	Authorized officer Céline Faust Telephone No. (41-22) 338.83.38
--	---

PATENT COOPERATION TREATY

WO 00/55456
PCT/AU00/00203

PCT

From the INTERNATIONAL BUREAU

NOTICE INFORMING THE APPLICANT OF THE COMMUNICATION OF THE INTERNATIONAL APPLICATION TO THE DESIGNATED OFFICES

(PCT Rule 47.1(c), first sentence)

To:
DARK, Andrew, David
Davies Collison Cave
1 Little Collins Street
Melbourne, Victoria 3000
AUSTRALIE

TUESDAY. 3 OCT 2000

Date of mailing (day/month/year) 21 September 2000 (21.09.00)		IMPORTANT NOTICE	
Applicant's or agent's file reference 2274099/AXD			
International application No. PCT/AU00/00203	International filing date (day/month/year) 17 March 2000 (17.03.00)	Priority date (day/month/year) 17 March 1999 (17.03.99)	
Applicant BRAMWELLS, Hugh, William			

1. Notice is hereby given that the International Bureau has communicated, as provided in Article 20, the international application to the following designated Offices on the date indicated above as the date of mailing of this Notice:
AG,AU,DZ,KP,KR,US

In accordance with Rule 47.1(c), third sentence, those Offices will accept the present Notice as conclusive evidence that the communication of the international application has duly taken place on the date of mailing indicated above and no copy of the international application is required to be furnished by the applicant to the designated Office(s).

2. The following designated Offices have waived the requirement for such a communication at this time:
AE,AL,AM,AP,AT,AZ,BA,BB,BG,BR,BY,CA,CH,CN,CR,CU,CZ,DE,DK,DM,EA,EE,EP,ES,FI,GB,GD,GE,GH,GM,HR,HU,ID,IL,IN,IS,JP,KE,KG,KZ,LC,LK,LR,LS,LT,LU,LV,MA,MD,MG,MK,MN,MW,MX,NO,NZ,OA,PL,PT,RO,RU,SD,SE,SG,SI,SK,SL,TJ,TM,TR,TT,TZ,UA,UG,UZ,VN,YU,ZA,ZW
The communication will be made to those Offices only upon their request. Furthermore, those Offices do not require the applicant to furnish a copy of the international application (Rule 49.1(a-bis)).

3. Enclosed with this Notice is a copy of the international application as published by the International Bureau on 21 September 2000 (21.09.00) under No. WO 00/55456

REMINDER REGARDING CHAPTER II (Article 31(2)(a) and Rule 54.2)

If the applicant wishes to postpone entry into the national phase until 30 months (or later in some Offices) from the priority date, a demand for international preliminary examination must be filed with the competent International Preliminary Examining Authority before the expiration of 19 months from the priority date.

It is the applicant's sole responsibility to monitor the 19-month time limit.

Note that only an applicant who is a national or resident of a PCT Contracting State which is bound by Chapter II has the right to file a demand for international preliminary examination.

REMINDER REGARDING ENTRY INTO THE NATIONAL PHASE (Article 22 or 39(1))

If the applicant wishes to proceed with the international application in the national phase, he must, within 20 months or 30 months, or later in some Offices, perform the acts referred to therein before each designated or elected Office.

For further important information on the time limits and acts to be performed for entering the national phase, see the Annex to Form PCT/IB/301 (Notification of Receipt of Record Copy) and Volume II of the PCT Applicant's Guide.

The International Bureau of WIPO 34, chemin des Colombettes 1211 Geneva 20, Switzerland	Authorized officer J. Zahra
Facsimile No. (41-22) 740.14.35	Telephone No. (41-22) 338.83.38

PATENT COOPERATION TREATY
PCT
INTERNATIONAL PRELIMINARY EXAMINATION REPORT

REC'D 15 MAY 2001

WIPO PCT

(PCT Article 36 and Rule 70)

Applicant's or agent's file reference 2274099	FOR FURTHER ACTION	See Notification of Transmittal of International Preliminary Examination Report (Form PCT/IPEA/416).
International Application No. PCT/AU00/00203	International Filing Date (<i>day/month/year</i>) 17 March 2000	Priority Date (<i>day/month/year</i>) 17 March 1999
International Patent Classification (IPC) or national classification and IPC Int. Cl. ⁷ E04H 15/58		
Applicant BRAMWELLS, Hugh William		

1. This international preliminary examination report has been prepared by this International Preliminary Examining Authority and is transmitted to the applicant according to Article 36.


2. This REPORT consists of a total of 3 sheets, including this cover sheet.

This report is also accompanied by ANNEXES, i.e., sheets of the description, claims and/or drawings which have been amended and are the basis for this report and/or sheets containing rectifications made before this Authority (see Rule 70.16 and Section 607 of the Administrative Instructions under the PCT).

These annexes consist of a total of 3 sheet(s).

3. This report contains indications relating to the following items:

I	<input checked="" type="checkbox"/>	Basis of the report
II	<input type="checkbox"/>	Priority
III	<input type="checkbox"/>	Non-establishment of opinion with regard to novelty, inventive step and industrial applicability
IV	<input type="checkbox"/>	Lack of unity of invention
V	<input checked="" type="checkbox"/>	Reasoned statement under Article 35(2) with regard to novelty, inventive step or industrial applicability; citations and explanations supporting such statement
VI	<input type="checkbox"/>	Certain documents cited
VII	<input type="checkbox"/>	Certain defects in the international application
VIII	<input type="checkbox"/>	Certain observations on the international application

Date of submission of the demand 10 October 2000	Date of completion of the report 8 May 2001
Name and mailing address of the IPEA/AU AUSTRALIAN PATENT OFFICE PO BOX 200, WODEN ACT 2606, AUSTRALIA E-mail address: pct@ipaaustralia.gov.au Facsimile No. (02) 6285 3929	Authorized Officer  DAVID MELHUIH Telephone No. (02) 6283 2426

I. Basis of the report

1. With regard to the elements of the international application:*
- the international application as originally filed.
- the description, pages 2 - 15, as originally filed,
pages , filed with the demand,
pages 1, 1A, received on 23 April 2001 with the letter of 23 April 2001
- the claims, pages 17, 18, as originally filed,
pages , as amended (together with any statement) under Article 19,
pages , filed with the demand,
pages 16, received on 23 April 2001 with the letter of 23 April 2001
- the drawings, pages 1/12 - 12/12, as originally filed,
pages , filed with the demand,
pages , received on with the letter of
- the sequence listing part of the description:
pages , as originally filed
pages , filed with the demand
pages , received on with the letter of
2. With regard to the language, all the elements marked above were available or furnished to this Authority in the language in which the international application was filed, unless otherwise indicated under this item.
These elements were available or furnished to this Authority in the following language which is:
- the language of a translation furnished for the purposes of international search (under Rule 23.1(b)).
- the language of publication of the international application (under Rule 48.3(b)).
- the language of the translation furnished for the purposes of international preliminary examination (under Rules 55.2 and/or 55.3).
3. With regard to any nucleotide and/or amino acid sequence disclosed in the international application, was on the basis of the sequence listing:
- contained in the international application in written form.
- filed together with the international application in computer readable form.
- furnished subsequently to this Authority in written form.
- furnished subsequently to this Authority in computer readable form.
- The statement that the subsequently furnished written sequence listing does not go beyond the disclosure in the international application as filed has been furnished.
- The statement that the information recorded in computer readable form is identical to the written sequence listing has been furnished
4. The amendments have resulted in the cancellation of:
- the description, pages
- the claims, Nos.
- the drawings, sheets/fig.
5. This report has been established as if (some of) the amendments had not been made, since they have been considered to go beyond the disclosure as filed, as indicated in the Supplemental Box (Rule 70.2(c)).**

* Replacement sheets which have been furnished to the receiving Office in response to an invitation under Article 14 are referred to in this report as "originally filed" and are not annexed to this report since they do not contain amendments (Rules 70.16 and 70.17).

** Any replacement sheet containing such amendments must be referred to under item 1 and annexed to this report

V. Reasoned statement under Article 35(2) with regard to novelty, inventive step or industrial applicability; citations and explanations supporting such statement

1.	Statement		
	Novelty (N)	Claims 1 - 16	YES
		Claims	NO
	Inventive step (IS)	Claims 1 - 16	YES
		Claims	NO
	Industrial applicability (IA)	Claims 1 - 16	YES
		Claims	NO

2. Citations and explanations (Rule 70.7)

Claims 1 to 16 meet the requirements of PCT Articles 33(2)-(4). None of the prior art documents, or obvious combination thereof, disclose a shielding assembly with an elongate support member wherein a shield moves three-dimensionally about a region defined below the elongate support member. The prior art documents all disclose two-dimensional movement.

INTERNATIONAL SEARCH REPORT

International application No.

PCT/AU00/00203

A. CLASSIFICATION OF SUBJECT MATTER		
Int. Cl. ⁷ : E04H 15/58		
According to International Patent Classification (IPC) or to both national classification and IPC		
B. FIELDS SEARCHED		
Minimum documentation searched (classification system followed by classification symbols) IPC A45F E04F 10/- E04H 15/-		
Documentation searched other than minimum documentation to the extent that such documents are included in the fields searched AU: IPC AS ABOVE.		
Electronic data base consulted during the international search (name of data base and, where practicable, search terms used) WPAT		
C. DOCUMENTS CONSIDERED TO BE RELEVANT		
Category*	Citation of document, with indication, where appropriate, of the relevant passages	Relevant to claim No.
X	AU 27442/92 A (PITTY et al.) 6 May 1993 Page 10 line 15 to page 11 line 8	1-6, 8, 9
X	EP 691445 A (LINGE) 7 July 1995 Abstract, figures	1-3,5,6,8,9,16
X	US 4833837 A (BONNEAU) 30 May 1989 Column 2 line 53 to column 3 line 13	1-3,5,8,9,15,16
<input checked="" type="checkbox"/> Further documents are listed in the continuation of Box C <input checked="" type="checkbox"/> See patent family annex		
* Special categories of cited documents:		
"A"	document defining the general state of the art which is not considered to be of particular relevance	"T" later document published after the international filing date or priority date and not in conflict with the application but cited to understand the principle or theory underlying the invention
"E"	earlier application or patent but published on or after the international filing date	"X" document of particular relevance; the claimed invention cannot be considered novel or cannot be considered to involve an inventive step when the document is taken alone
"L"	document which may throw doubts on priority claim(s) or which is cited to establish the publication date of another citation or other special reason (as specified)	"Y" document of particular relevance; the claimed invention cannot be considered to involve an inventive step when the document is combined with one or more other such documents, such combination being obvious to a person skilled in the art
"O"	document referring to an oral disclosure, use, exhibition or other means	"&" document member of the same patent family
"P"	document published prior to the international filing date but later than the priority date claimed	
Date of the actual completion of the international search 3 May 2000		Date of mailing of the international search report 12 MAY 2000
Name and mailing address of the ISA/AU AUSTRALIAN PATENT OFFICE PO BOX 200, WODEN ACT 2606, AUSTRALIA E-mail address: pct@ipaustralia.gov.au Facsimile No. (02) 6285 3929		Authorized officer <i>D. Melhuish</i> DAVID MELHUISE Telephone No : (02) 6283 2426

INTERNATIONAL SEARCH REPORT

International application No.

PCT/AU00/00203

C (Continuation). DOCUMENTS CONSIDERED TO BE RELEVANT		
Category*	Citation of document, with indication, where appropriate, of the relevant passages	Relevant to claim No.
X	EP 260771 A (SCHÖN) 23 March 1988 Column 2 line 18 to column 4 line 47	1,8,9,12,16

INTERNATIONAL SEARCH REPORT
Information on patent family members

International application No.
PCT/AU00/00203

This Annex lists the known "A" publication level patent family members relating to the patent documents cited in the above-mentioned international search report. The Australian Patent Office is in no way liable for these particulars which are merely given for the purpose of information.

Patent Document Cited in Search
Report

Patent Family Member

AU 27442/92

EP 691445

DE 44243033

US 4833837

DK 577/87

EP 235013

FR 2594157

EP 260771

NL 8602313

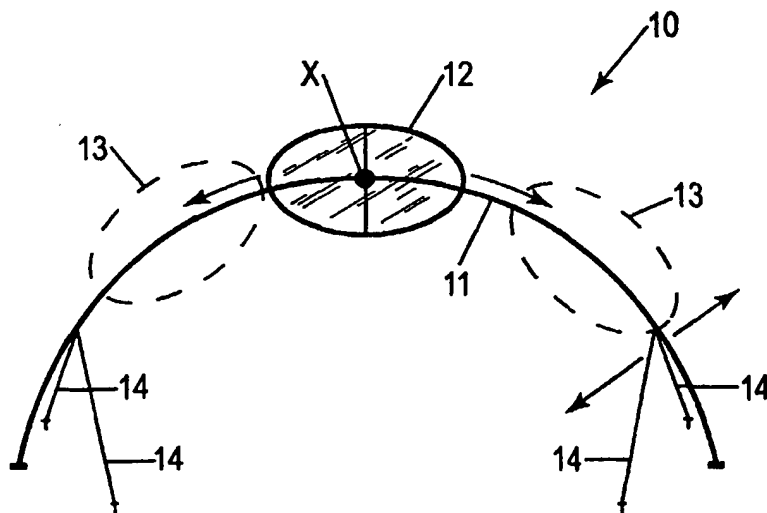
END OF ANNEX



INTERNATIONAL APPLICATION PUBLISHED UNDER THE PATENT COOPERATION TREATY (PCT)

(51) International Patent Classification ⁷ : E04H 15/58	A1	(11) International Publication Number: WO 00/55456
<p>(21) International Application Number: PCT/AU00/00203</p> <p>(22) International Filing Date: 17 March 2000 (17.03.00)</p> <p>(30) Priority Data: PP 9280 17 March 1999 (17.03.99) AU</p> <p>(71)(72) Applicant and Inventor: BRAMWELLS, Hugh, William [AU/AU]; 3 Rose Street, Highett, Victoria 3190 (AU).</p> <p>(74) Agents: DARK, Andrew, David et al.; Davies Collison Cave, 1 Little Collins Street, Melbourne, Victoria 3000 (AU).</p>		<p>(43) International Publication Date: 21 September 2000 (21.09.00)</p> <p>(81) Designated States: AE, AG, AL, AM, AT, AU, AZ, BA, BB, BG, BR, BY, CA, CH, CN, CR, CU, CZ, DE, DK, DM, DZ, EE, ES, FI, GB, GD, GE, GH, GM, HR, HU, ID, IL, IN, IS, JP, KE, KG, KP, KR, KZ, LC, LK, LR, LS, LT, LU, LV, MA, MD, MG, MK, MN, MW, MX, NO, NZ, PL, PT, RO, RU, SD, SE, SG, SI, SK, SL, TJ, TM, TR, TT, TZ, UA, UG, US, UZ, VN, YU, ZA, ZW, ARIPO patent (GH, GM, KE, LS, MW, SD, SL, SZ, TZ, UG, ZW), Eurasian patent (AM, AZ, BY, KG, KZ, MD, RU, TJ, TM), European patent (AT, BE, CH, CY, DE, DK, ES, FI, FR, GB, GR, IE, IT, LU, MC, NL, PT, SE), OAPI patent (BF, BJ, CF, CG, CI, CM, GA, GN, GW, ML, MR, NE, SN, TD, TG).</p> <p>Published With international search report.</p>

(54) Title: SHIELDING ASSEMBLY



(57) Abstract

A shielding assembly to shield a user from the sun and/or the wind comprising a shield (12) and a support (11) for supporting the shield, the support (11) including at least one elongate member on which said shield is moveably mounted. Movement of the shield (12) relative to the at least one elongate member, optionally in combination with movement of one or more of the elongate members facilitates three-dimensional movement of the shield (12) about a defined region below the at least one elongate member to enable the region to be continually shielded as the sun moves across the sky. The assembly may include one or two elongate members in the form of an arch. Alternatively one end of the elongate member may be pivotally mounted while the other end is moveable relative to the ground, or both ends may be pivotally mounted. A wind shield (55) may be added in addition to the shield (12).

FOR THE PURPOSES OF INFORMATION ONLY

Codes used to identify States party to the PCT on the front pages of pamphlets publishing international applications under the PCT.

AL	Albania	ES	Spain	LS	Lesotho	SI	Slovenia
AM	Armenia	FI	Finland	LT	Lithuania	SK	Slovakia
AT	Austria	FR	France	LU	Luxembourg	SN	Senegal
AU	Australia	GA	Gabon	LV	Latvia	SZ	Swaziland
AZ	Azerbaijan	GB	United Kingdom	MC	Monaco	TD	Chad
BA	Bosnia and Herzegovina	GE	Georgia	MD	Republic of Moldova	TG	Togo
BB	Barbados	GH	Ghana	MG	Madagascar	TJ	Tajikistan
BE	Belgium	GN	Guinea	MK	The former Yugoslav Republic of Macedonia	TM	Turkmenistan
BF	Burkina Faso	GR	Greece	ML	Mali	TR	Turkey
BG	Bulgaria	HU	Hungary	MN	Mongolia	TT	Trinidad and Tobago
BJ	Benin	IE	Ireland	MR	Mauritania	UA	Ukraine
BR	Brazil	IL	Israel	MW	Malawi	UG	Uganda
BY	Belarus	IS	Iceland	MX	Mexico	US	United States of America
CA	Canada	IT	Italy	NE	Niger	UZ	Uzbekistan
CF	Central African Republic	JP	Japan	NL	Netherlands	VN	Viet Nam
CG	Congo	KE	Kenya	NO	Norway	YU	Yugoslavia
CH	Switzerland	KG	Kyrgyzstan	NZ	New Zealand	ZW	Zimbabwe
CI	Côte d'Ivoire	KP	Democratic People's Republic of Korea	PL	Poland		
CM	Cameroon	KR	Republic of Korea	PT	Portugal		
CN	China	KZ	Kazakstan	RO	Romania		
CU	Cuba	LC	Saint Lucia	RU	Russian Federation		
CZ	Czech Republic	LI	Liechtenstein	SD	Sudan		
DE	Germany	LK	Sri Lanka	SE	Sweden		
DK	Denmark	LR	Liberia	SG	Singapore		
EE	Estonia						

SHIELDING ASSEMBLY

The present invention relates to a shielding assembly. In particular, the invention relates to a shielding assembly which is adapted to shield a user or users from sun and/or
5 wind.

Conventionally, protection from the sun or wind has been generally achieved using temporary or permanent structures such as umbrellas, gazebos, marquees and sails. In all of these arrangements the assembly is substantially static and, as such, they are prone to allowing
10 sunlight through to the area intended to be covered and protected on movement of the sun.

The invention advantageously provides an assembly which is adjustable to shield a user from the sun under various conditions, and which optionally may also provide shielding from wind. The shielding from the wind is advantageously independent of the sun shielding
15 operation of the assembly. The invention advantageously has extremely broad application providing not only temporary assemblies for use, for example, on the beach or in a picnic area, but also permanent structures which cover, for example, swimming pools, playgrounds, dining areas or the like.

20 According to the present invention there is provided a shielding assembly comprising:
a shield for shielding a user of the assembly; and
a support for supporting said shield, the support including at least one elongate member relative to which said shield is moveably mounted;
wherein movement of said shield relative to the at least one elongate member,
25 optionally in combination with movement of one or more of said elongate members, facilitates three-dimensional movement of the shield about a defined region below said at least one elongate member.

The support, shield and the mounting of the shield relative to the support may take any
30 suitable configuration. In particular, the support may comprise any suitable number of elongate members, the shield may be of any suitable shape or size, and the mounting of the

- 2 -

shield may include any suitable mounting provided that the movement of the shield, optionally in combination with movement of one or more of the elongate members facilitates three-dimensional movement of the shield about a defined region below the at least one elongate member.

5

In one embodiment the support includes a single elongate member, preferably in the form of an arch support, or a pair of elongate members, and the shield is mounted for longitudinal movement relative to the elongate member, for example such that the shield can track along the elongate member to provide optimal shielding from the sun. In this
10 embodiment, the shield may be mounted on the inner or outer surface of the elongate member. Further, the elongate member may be adapted to be pivotally mounted at at least one end thereof to facilitate transverse movement of the elongate member, and therefore the shield relative to the longitudinal plane of the elongate member. Alternatively, the shield may be mounted for transverse movement relative to the elongate member itself. Further, the shield
15 is preferably mounted such that it is lockable relative to the elongate member.

Where the elongate member is pivotally mounted at only one end thereof, this mounting may be, for example, on a wall the other end of the elongate member being mounted for tracking relative to the ground. Conversely, the elongate member may be
20 pivotally mounted to the ground at one end and mounted for tracking relative to a wall at the other. Alternatively, both ends of the elongate member may be pivotally mounted relative to the ground so that the member may tilt about an axis defined by the ends thereof.

According to this embodiment, as stated above, the shield may be mounted relative
25 to the elongate member by any suitable means. The mounting may, for example, comprise a single point of contact between the shield and the elongate member, or may comprise a plurality of points of contact or a track on the shield which runs along the elongate member. Other alternatives will be readily ascertained and determined by those skilled in the art. Further attachments may also be provided for additional shielding, for example from wind,
30 or to provide netting to protect a user from insects.

According to another embodiment, the support includes a fixed member and an articulated arm pivotally mounted to the fixed member, the shield being mounted for longitudinal movement relative to the articulated arm. In this embodiment, the fixed member may take any suitable form, but advantageously includes a strut from which the articulated arm hangs. As such, the articulated arm is rotatable around 360° and the shield is movable, for example by tracking as previously discussed, along the length of the articulated arm. Alternatively, the articulated arm itself may be not only pivotally mounted relative to the fixed member, but also may be mounted such that the pivot point of the fixed member tracks along the articulated arm.

10

According to a further embodiment, the support includes a fixed elongate member and a moveable elongate member mounted for longitudinal movement relative to the fixed elongate member, the shield being mounted for longitudinal movement relative to the moveable elongate member. Preferably in this case, the moveable elongate member is mounted such that it tracks along the fixed elongate member, the fixed elongate member being in the form of an arch and the moveable elongate member being in the form of an incomplete arch, and the shield is mounted for tracking along the moveable elongate member. Each end of the fixed elongate member is advantageously secured to the ground, as is the distal end of the moveable elongate member, although the distal end of the moveable elongate member is pivotally mounted relative to the ground to facilitate tracking of the moveable elongate member along the fixed elongate member.

In still a further embodiment, the support includes two elongate members mounted at about 90° to each other, each of the elongate members being pivotally mounted at each end thereof for longitudinal pivotal movement relative to the other elongate member, the shield being mounted for longitudinal movement relative to each of the elongate members.

The two elongate members in this case generally comprise a pair of arch supports which are positionable at about 90° to each other, and which are movable relative to each other. This may be achieved using two separate and individual arch supports, or a single continuous loop which is constructed to provide a cross arrangement. The shield is mounted

- 4 -

on each of the arch supports, each of the supports being moveable relative to, and substantially around the axis of, the other support. In this case, therefore, the shield is moveably mounted relative to each of the individual arch supports. It will be understood that both supports may be moved simultaneously if desired to reposition the shield.

5

According to still a further embodiment of the invention the assembly is operable between a collapsed orientation and an assembled orientation, wherein in the collapsed orientation the support includes a pair of concentric members an inner member of which mounts the shield, the concentric members being moveable to an intermediate orientation 10 wherein the concentric members are oriented at about 90° to each other, and from the intermediate orientation to the assembled orientation wherein lower portions of the concentric members are compressed to provide a base for the support, the shield being supported within the support when the assembly is in the assembled orientation.

15 In this embodiment, the shield and the concentric members, in the collapsed orientation, may be secured to each other as desired, but are preferably secured by a suitable locking mechanism. Similarly, in the assembled orientation the concentric members and shield may be maintained in place by any suitable means. For example, the concentric members may be locked together in their assembled orientation at their points of contact, the 20 assembled concentric members being oriented at about 90° relative to each other, and the shield secured to the concentric members within the formed support.

In a further embodiment, the support includes a plurality of pivotally mounted elongate members and a pivotally mounted central mounting member extending from a proximal end 25 of a substantially upright strut, the shield extending over said support and being movably mounted relative to each of the elongate members and centrally fixedly mounted relative to the central mounting member.

Still further, the support may include a support strut having an elongate member 30 extending therefrom, the shield being pivotally mounted relative to a distal end of the elongate member and including a plurality of lateral tracking means which are movable relative to the

distal end of the elongate member. For example, the tracking means may include a plurality of laterally extending ridges relative to which the distal end of the elongate member is moveably mounted.

- 5 According to another embodiment, the support means comprises at least three support struts forming a frame, the shield being movably mounted within or outside the frame.

Taking, for example, an arrangement where the support means comprises three struts, the shield may comprise a triangular shield, each corner of which is adapted to run along a
10 respective strut. Alternatively, one or each of the corners may be detachable and reattachable to a respective strut. This arrangement may also hold true for a circular or elliptical shield having three points of contact which contact a respective strut, and which are moveable along that strut and/or detachable and attachable to that strut. In yet another alternative, the shield may comprise a convex dome which is moveable within the struts of the support as desired.
15 It will be recognised that in this embodiment, the material of the shield may necessarily be elasticised to ensure that movement of the shield is possible. For example, if the shield is triangular as two points of the triangular sheet are moved down two respective struts, the distance between the struts increases, thus the material must expand. Alternatively, taking this same example, each of the corners of the triangular sheet may be attached to an elastic
20 cord which is in turn attached to the respective struts. In this case the triangular sheet could remain static, and the elastic cords extend as moved down the struts. Other alternatives will be readily determined by those skilled in the art.

Preferably, according to some embodiments, the shield is rotatable around its
25 circumference which is, as described in the preceding paragraphs, lockable with respect to one or more of the struts of the support.

According to this embodiment, the shield, be it triangular, circular, elliptical or convex, may also be hung from the support beams, preferably using a wiring and/or pulley
30 system such that a user of the assembly can alter the orientation of the shield with minimal effort. In this case, there is advantageously further provided means for retaining the shield

in the desired position as set by the user of the assembly.

The struts of the support are preferably flexible, and may be tapered toward the top of the assembly to provide greater curvature. Furthermore, the struts may be connected at 5 the top of the support by a joiner. For example, in the case of a three-strut support, the joiner would be a "Y-shaped" joiner. Advantageously, for storage purposes, the struts may fold into two or more segments, for example, as is the case in conventional tent poles.

In a preferred embodiment, the shielding assembly, be it configured as described in 10 any one of the above embodiments, comprises a wind shield means. This may be integral with the assembly, or may be an additional attachment to the assembly, depending on the configuration of the assembly. For example, if the assembly comprises 3 or more struts, the wind shield means may comprise a shield which is mounted between the lower portions of the struts around at least a part of the outer perimeter of the shelter. According to this 15 embodiment, the wind shield may comprise pockets for receiving, for example, sand or water which stabilises the wind shield and/or assembly.

In a preferred embodiment, the wind shield means comprises a wind shield which is moveably mounted, or which is mountable, relative to the shielding assembly, such that its 20 position can be altered depending on the direction of the wind. For example, the wind shield may comprise a triangular arch which is attached to the shielding assembly at a point, and which is rotatable about the outer perimeter of the assembly. Preferably, the wind shield comprises locking means for locking the windshield in a position relative to the shielding assembly. Further, in certain embodiments the attachment of the shield may comprise an 25 extended spine which is adapted to be slidably attached to the assembly, or which alternatively is independent of the assembly.

When the wind shield comprises a triangular arch, this preferably includes a longitudinal spine which is substantially central to the windshield. When in this 30 configuration, in use the shield may be positioned such that the spine faces the prevailing wind, and thereby forms a more efficient wind break to the user of the assembly. In

particular, the tapered sides and curvature of the shield arch advantageously such that optimal deflection of the wind is achieved. The wind shield, in a preferred embodiment, includes an upper circular opening which is positionable over the top of the shielding assembly to provide independent movement of the wind shield.

5

The shielding assembly may be secured to the ground by any suitable means. This may be somewhat dependent on the particular configuration of the support. For example, if the support comprises a single arch support, it may be necessary to secure the assembly using guy wires attached to the arch support. If the support comprises 3 or more struts, it may be
10 more suitable to provide bags on each foot of the struts, the bag being adapted to receive, for example, sand or water. These and other means of securing the shielding assembly will be readily ascertained by a person in the art.

The assembly may also comprise additional attachments such as a canopy for
15 protection from rain, or netting for protection from insects. Furthermore, a flow may be provided in various embodiments of the assembly.

For ease of assembly, as briefly mentioned above, the arch support(s) of each of the above embodiments are preferably adapted too be assembled using an internal pull-cord or
20 elastic cords, or may be constructed to facilitate spring-loaded assembly.

Particular embodiments of the present invention will now be described with reference to the accompanying drawings in which:

25 Figures 1A to 1D illustrate embodiments of the shielding assembly having a single elongate member;

Figure 1E illustrates an embodiment of the shielding assembly having a fixed member and a reticulating arm;

Figure 1F illustrates an alternative embodiment of the shielding assembly having a
30 single moveable elongate member and a fixed elongate member;

Figure 2 illustrates an alternative embodiment of the shielding assembly having three

support struts which form a frame;

Figure 3 illustrates an alternative configuration to the embodiment shown in Figure 2;

Figure 4 illustrates an alternate configuration of the shielding assembly shown in 5 Figure 2;

Figure 5 illustrates the shielding assembly shown in Figure 3 including a wind shield;

Figure 6 illustrates the shielding assembly shown in Figure 3 including an alternate wind shield;

10 Figure 7 illustrates a further alternate configuration of the embodiment shown in Figure 2;

Figure 8 illustrates the shielding assembly shown in Figure 2 including a moveable wind shield;

Figure 9 illustrates the wind shield shown in Figure 8;

15 Figure 10 illustrates an alternate shielding assembly having two elongate members which are moveable relative to each other;

Figure 11 illustrates a further embodiment of a collapsible assembly including, in a collapsed orientation, two concentric members and a shield which can be re-oriented to an assembled orientation as illustrated;

20 Figure 12 illustrates yet another embodiment of the shielding assembly which substantially takes the form of an umbrella, but which includes a plurality of plurality of pivotally mounted elongate member and a central mounting member on a proximal end of an upright strut;

Figure 13 illustrates an embodiment where an umbrella-like shield is pivotally and 25 moveably mounted relative to a supporting member; and

Figure 14 illustrates a preferred locking mechanism for locking of the shield relative to the support.

Referring to Figures 1A to 1D, the shielding assembly 10 comprises a single arch 30 support 11, on which is mounted a shield 12. The shield 12 is mounted on the support 11 at point X. This mounting is such that the shield 12 is moveable along the support 11 as shown

by the phantom shields 13. As such, the shield 12 is moveable, and lockable, along the length of the support 11. The shield 12 may be provided with a cross bar, the shield 12 being mounted on the support 11 via the cross bar, and the cross bar tracks along the support 11.

5 The support 11 in Figures 1A and 1B is secured to the ground by guy wires 14. The support 11 in Figure 1A may be tilted toward the ground by adjusting the guide wires 14 such that the shield 12 may be moved relative to the support 11 at a suitable elevation from the ground relative to the sun's elevation in the sky. As the operation of this embodiment will be simplified if the axis of the support is aligned with the path of the sun, the assembly may also
10 be provided with a compass to facilitate optimal orientation in setting up of the assembly relative to the sun's path. Alternatively as illustrated in Figure 1B, the shield 12 may be mounted for transverse movement relative to the support 11 to account for the sun's elevation in the sky.

15 Referring to Figures 1C and 1D, the single arch support 11 may be pivotally mounted relative to a point on a wall 15 and mounted for tracking along the ground on a mounting 16. Conversely, as illustrated in Figure 1D, the arch support 11 may be pivotally mounted relative to the ground and mounted for tracking along a mount on the wall 15. In these embodiments, it will be understood that a user of the assembly may be protected by the shield in the region
20 defined by the movement of the support 11 along the mount 16 and the movement of the shield 12 along the support 11.

It will be understood that the assembly illustrated in Figures 1A to 1D may also comprise a pair of parallel supports, optionally joined at each end to provide additional
25 support and strength to the assembly. Further, additional arches may provide support for other desirable features, such as a netting shield. In this embodiment, the shield may be detachable and mountable on any of the arches, including the additional arches.

Figure 1E illustrates a shielding assembly 10 which includes a fixed support strut 11a
30 having a pivot 17 from which depends a pivotally mounted articulated arm 11b. The arm 11b is pivotally mounted for movement about 360° and has mounted thereon a shield 12. The

- 10 -

shield 12 is mounted for longitudinal movement along the arm 11b. Alternatively, as illustrated in Figure 1F, the shield is mounted on a moveable elongate member 11c which is mounted for tracking movement along a fixed member 11d. A shield 12 is mounted on the member 11c and is moveable along the length of the member 11c. As such, the moveable
5 member 11c is pivotally secured at pivot point 17a to facilitate pivotal movement of the member 11c and tracking of the member 11c along the fixed member 11d.

Figure 2 illustrates a shielding assembly 20 which comprises three strut supports 21, each of which is secured to the ground by any suitable means, for example a sandbag tied to
10 the base of each strut 21. The shield 22 comprises a triangular sheet which is attached to each of the struts 21 at the points of the triangular shield 22. The connection between the shield 22 and each of the struts 21 may be such that the points of the shield are moveable relative to each of the respective struts, or may be detachable and reattachable to respective struts. As such, the shield 22 is moveable relative to the struts 21 so that it may be positionable
15 taking into consideration the position of the sun in the sky (the incident rays of the sun being shown by arrows in Figure 2). It will be recognised that the shield 22 material in this example will necessarily be elastic to facilitate movement of the shield up and down the struts 21.

20 The struts 21 are joined by a connection 23 at the top of the assembly 20. This may be a separate connector, or may simply be a hinge to which each of the struts 21 is hingedly attached. Furthermore, the connector 23 and struts 21 may be configured such that the assembly 20 can be erected automatically by releasing a spring loaded system. The struts 21 may alternatively each have an internal cord, each of the cords being connected to a single
25 pull-cord. In this case, on pulling the pull-cord, the assembly may be erected by activating each of the individual cords of respective struts.

Figure 3 illustrates the embodiment of Figure 2, but has a circular shield 32 rather than the triangular shield 22 illustrated in Figure 2. In this case, the attachment of the shield
30 32 to struts 31 is advantageously such that a degree of rotational movement of the shield 32 about the struts 31 is facilitated. Similarly, Figure 4 illustrates an embodiment where the

- 11 -

shield 42 is a convex shield.

Figures 5 and 6 illustrate the shield assembly of Figure 3, but additionally include a wind shield 55 and 65 respectively. The wind shield 55 illustrated in Figure 5 extends 5 between the struts 51 of the shielding assembly 50. The wind shield 55 is illustrated as extending between two faces of the assembly 50, but may also suitably extend on only one face, or on all three faces of the assembly 50. The wind shield 55 further advantageously includes pockets 56, for example for receiving sand when the assembly 50 is used on the beach. The wind shield 65 shown in Figure 6 extends between two struts 61, and covers an 10 entire face of the assembly 60. The wind shield 65 may extend over two faces if desired, and may be provided with a fold down zipped door 66 if desired.

Referring to Figure 7, the shield 72 may be hung from the assembly 70 by means of a support system 76, for example a pulley system. As such, the actual shield 72 may be 15 mounted to the assembly 70 indirectly by the support system 76. The support assembly 76 is such that the orientation of the shield 72 relative to the struts 71 which support the assembly 76 may be altered as desired in accordance with the discussion above. Furthermore, points of the shield 72 may be attached to respective struts 71 when the shield 72 is in a desired orientation.

20

Figure 8 illustrates a particularly desirable arrangement where the shielding assembly 80 is substantially in accordance with that shown in Figures 2 to 7. The shield has been omitted from Figure 8 for convenience. As shown in this Figure, the assembly 80 is provided with a wind shield 85 which is attached to the assembly 80 at the connection of the struts 81. 25 This connection 83 advantageously facilitates rotation of the wind shield 85 about the perimeter of the assembly 80. It is envisaged that this arrangement may also be suitable for use on the assembly illustrated in Figure 1, where the wind shield 85 would actually provide a stabilising effect to the assembly.

30 Referring to Figure 9, the wind shield 95 preferably includes a central longitudinal spine 96 which extends from the top of the shield 95 to the base thereof. This spine

- 12 -

- advantageously provides improved shielding against prevailing winds as the wind is literally divided to pass around the assembly to which the shield 95 is connected. The shield assembly 95 may be reinforced if necessary with lateral supports, and may include means for securing the wind shield 95 to the ground when the wind assembly 95 is oriented in a desired position.
- 5 A pivot 97 may be provided to attach the wind shield 95 to the assembly. Alternatively, the pivot is not included and the spine 96 extends to form a complete arc (as shown in broken line) which can advantageously be secured to the ground opposite the wind shield 95. That is, the wind shield may be independent of the assembly.
- 10 The construction of the shield in any case advantageously allows passage of wind therethrough at least to some extent to prevent the assembly from being blown out of position and/or blown away. This may be achieved by providing a multitude of flaps in the material of the shield which can be blown open under excessive wind conditions. Alternatively, small wind-socks or other arrangements may be used to achieve this effect. Such arrangements
- 15 advantageously do not substantially compromise the light-shielding capacity of the shield.

Referring to Figure 10, the assembly 100 includes a first arch support 101a and a second arch support 101b. These two supports 101a, 101b are each configured so that they are moveable about each other and so that each is operational and fixable about up to 180°

20 of rotation. If the assembly is not located on the ground, but is elevated, it may be possible for a degree of rotation of greater than 180°. The shield 102 is attached at four opposing points, two on each of the supports 101a, 101b. As in earlier described embodiments, the shield 102 may be attached within or outside the supports 101a, 101b. The points of connection are movable along each of the supports 101a, 101b so that the shield 102 is

25 positionable depending on the movement of the supports relative to each other. Thus, in this particular embodiment, the shield 102 may be moveably mounted relative to each of the supports 101a, 101b, but at any instance may be maintained in a fixed position relative to one or both of the supports 101a, 101b. The assembly 100 also preferably includes a collar 103 through which the supports 101a, 101b pass which maintains the supports at 90° positioning

30 relative to each other. The shield 102 is further preferably provided with guides 104 for guiding movement of the shield along the supports 101a, 101b. Still further, this embodiment

- 13 -

provides for the attachment of additional arches for shielding from wind or rain, etc. These further attachments may be located within the assembly or may be attached outside the assembly. For example, two assemblies as seen in Figure 10 may be constructed to fit one within the other to provide shielding from both sun and wind. In this case, the two assemblies
5 may be independent of each other or may be a single assembly with two pairs of arches, each arch of a pair having common pivot points on the ground.

Turning to Figure 11, the shielding assembly 110 is operable between a collapsed orientation (i), through an intermediate orientation (ii) to a final assembled orientation (iii).
10 The support includes a pair of concentric members 111a, 111b, the shield 112 being attached to the inner of the concentric members 111b. The concentric members 111a, 111b are secured in the collapsed orientation by locks 113. On rotation of the concentric members 111a, 111b relative to each other through 90°, the shielding assembly is transformed into the intermediate orientation. The rotation of the concentric members relative to each other is
15 facilitated by rotational movement at the locks 113. The shield 112 is also rotated about an axis so that it is positioned in a perpendicular plane relative to the planes of the concentric members 111a, 111b. From the intermediate orientation, the lower portion of the support is compressed to form a base for the support when the support is in its final assembled orientation. In this orientation, the shield is supported within the confines of the assembled
20 support, for example by a wiring system from a central pivot point at the top of the support, or by tracking along the extending arms of the concentric members 111a, 111b in their final assembled form.

Referring to Figure 12, the shielding assembly 120 may also take the appearance of
25 an umbrella. In this case, the shielding assembly 120 includes a plurality of elongate members 121 which are moveably attached to the shield 122 and which are co-joined at pivot point 123. Also attached to pivot point 123 is a central mounting member 124 which is fixedly attached to an inside upper point of the shield 122. The central mounting member is adapted to pivot at the pivot point 123 to provide tilting action to the shield 122. On pivoting
30 the shield 122 moves relative to the elongate members 121. As such, the elongate members 121 track along internal tracks 125 of the shield 122. Tracking of the elongate members 121

- 14 -

along tracks 125 of the shield 122 is facilitated by pivotal movement of the elongate members 121 at the pivot point 123. The pivot point 123 is located at the proximal end of a support strut 126. In this embodiment, the assembly is advantageously collapsible as is a conventional umbrella.

5

In an alternate embodiment, as illustrated in Figure 13, an elongate member 131 of the shielding assembly 130 extends from a strut 136 and supports a shield 132. The shield 132 is supported at a pivot point 133 relative to which the shield 132 can not only pivot, but relative to which the shield is moveably mounted. In particular, the shield includes a plurality
10 of tracks 135 relative to which the pivot point 133 is adapted to track so that the shield 132 may not only pivot about pivot point 133, but may also track relative to the pivot point 133.

The locking of the shield relative to the support in any of the above embodiments may be achieved by any suitable means. Similarly, locking of elongate members of the support
15 relative to each other in cases where the elongate members are moveable relative to each other, may be achieved by any suitable means. For example, in either case the locking means may include clamps or ratchet type arrangements as applicable in various embodiments. However, and with reference to Figure 14, in certain embodiments, the shielding assembly is provided with a locking mechanism 140 which includes a guide 141 which is adapted to
20 slidably move along an elongate member of the support. More particularly, the guide 141 includes a sleeve 142 for receiving the elongate member and a clamping portion 143 for receiving a rim 144 of the shield.

The clamping portion 143 includes a hinge 145 to facilitate removal and insertion of
25 the rim 144, and also includes a cylindrical slot 146 and a bearing ball 147 which engages the rim 144 of the shield. The ball 147, which may optionally be replaced by a bearing surface of the clamping portion 143, is positioned for engagement with the rim 144, the ball 147 being kept in place vertically by removable cylinders insertable in cylinder slots 146.

30 The rim 144 includes a central portion 148 which, when the shield is in a locked position, engages the ball. The central portion 148 includes a ridged surface for engagement

- 15 -

with the ball such that transverse movement of the shield relative to the ball when the ball is engaged by the central portion 148 is prevented. As it is necessary for lateral movement of the shield for there to be transverse movement, the transverse locking of the central portion 148 prevents any lateral movement of the shield relative to the support. When movement of the shield is desired, a user simply disengages the central portion 148 from engagement with the ball in which case foam portions 149 of the rim 144 are compressed (as shown in broken line), the central portion 148 being displaced vertically relative to the ball. When the shield has been moved to a desired orientation and the user of the assembly stops applying force to the shield, the shield returns to its locked position where the central portion 148 is in engagement with the ball. Thus, automatic locking of the shield relative to the support is facilitated. The inner surface of the clamping portion 143 is advantageously a low friction surface to facilitate each tracking of the rim 144. Alternatively, the locking mechanism may be provided with a disengaging mechanism which acts to disengage the engaging surface of the clamping portion 143 on the rim. For example, the disengaging mechanism may include a ring which is mounted on each of the locking mechanisms and is moveable from an engaging position to a disengaging position whereby movement from the engaging to disengaging position retracts the engaging surface of respective clamping portions 143.

Throughout this specification and the claims which follow, unless the context requires otherwise, the word "comprise", and variations such as "comprises" and "comprising", will be understood to imply the inclusion of a stated integer or group of integers or steps but not the exclusion of any other integer or group of integers or steps.

Those skilled in the art will appreciate that the invention described herein is susceptible to variations and modifications other than those specifically described. It is to be understood that the invention includes all such variations and modifications. The invention also includes all of the steps, features, compositions and compounds referred to or indicated in this specification, individually or collectively, and any and all combinations of any two or more of said steps or features.

CLAIMS

1. A shielding assembly comprising:
a shield for shielding a user of the assembly; and
5 a support for supporting said shield, the support including at least one elongate member relative to which said shield is moveably mounted;
wherein movement of said shield relative to the at least one elongate member, optionally in combination with movement of one or more of said elongate members facilitates three-dimensional movement of the shield about a defined region below said at least one
10 elongate member.
2. A shielding assembly according to claim 1, wherein said support includes one elongate member, said shield being mounted for longitudinal movement relative to said elongate member, and wherein said elongate member is adapted to be pivotally mounted at at least one
15 end thereof.
3. A shielding assembly according to claim 2, wherein said elongate member is adapted to be pivotally mounted at both ends thereof.
- 20 4. A shielding assembly according to claim 1, wherein said support includes one elongate member, said shield being mounted for longitudinal and transverse movement relative to said elongate member.
5. A shielding assembly according to claim 1, wherein said support includes a fixed
25 member and an articulated arm pivotally mounted to said fixed member, said shield being mounted for longitudinal movement relative to said articulated arm.
6. A shielding assembly according to claim 1, wherein said support includes a fixed elongate member and a moveable elongate member mounted for longitudinal movement
30 relative to said fixed elongate member, said shield being mounted for longitudinal movement relative to said moveable elongate member.

- 17 -

7. A shielding assembly according to claim 1, wherein said support includes two elongate members mounted at about 90° to each other, each of said elongate members being pivotally mounted at each end thereof for longitudinal pivotal movement relative to the other elongate member, said shield being mounted for longitudinal movement relative to each of said
5 elongate members.

8. A shielding assembly according to claim 1, wherein said support includes at least three support struts forming a frame, said shield being movably mounted relative to said struts within or outside the frame.

10

9. A shielding assembly according to claim 8, wherein said shield is mounted within the frame.

10. A shielding assembly according to claim 9, wherein said shield is mounted for
15 longitudinal and transverse movement relative to each of said struts.

11. A shielding assembly according to claim 10, wherein said shield is lockable relative to one or more of said struts.

20 12. A shielding assembly according to claim 9, wherein said shield is hung from said struts within said frame by means of a wiring system.

13. A shielding assembly according to claim 1, wherein said assembly is operable between a collapsed orientation and an assembled orientation, wherein in said collapsed orientation
25 said support includes a pair of concentric members an inner member of which mounts the shield, said concentric members being moveable to an intermediate orientation wherein said concentric members are oriented at about 90° to each other, and from said intermediate orientation to said assembled orientation wherein lower portions of the concentric members are compressed to provide a base for said support, said shield being supported within the support
30 when said assembly is in said assembled orientation.

- 18 -

14. A shielding assembly according to claim 1, wherein said support includes a plurality of pivotally mounted elongate members and a pivotally mounted central mounting member extending from a proximal end of a substantially upright strut, said shield extending over said support and being movably mounted relative to each of said elongate members and centrally
5 fixedly mounted relative to the central mounting member.

15. A shielding assembly according to claim 1, wherein said support includes a support strut having an elongate member extending therefrom, said shield being pivotally mounted relative to a distal end of said elongate member and including a plurality of laterally extending
10 ridges which are movably mounted relative to said distal end of said elongate member.

16. A shielding assembly according to claim 1, wherein the movement of said shield and optionally said one or more elongate members defines a substantially hemispheroidal or hemiellipsoidal region beneath the shield.

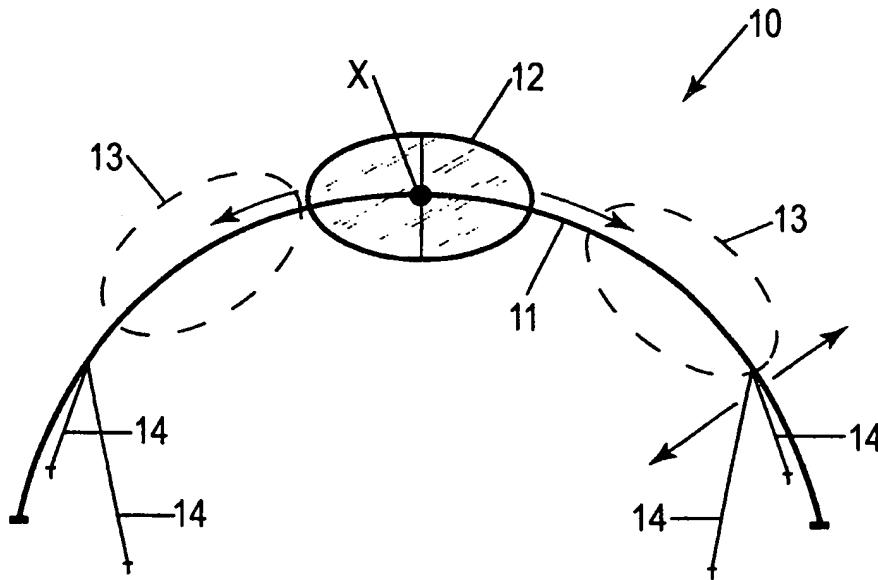


FIG 1A

FIG 1B

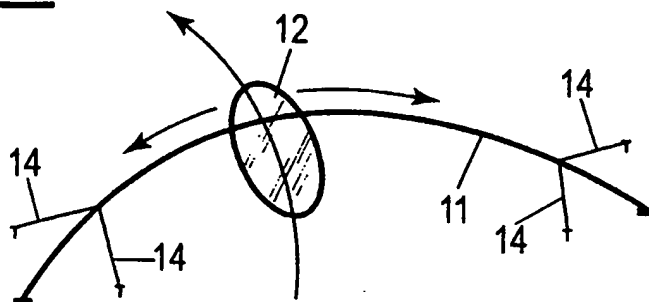


FIG 1C

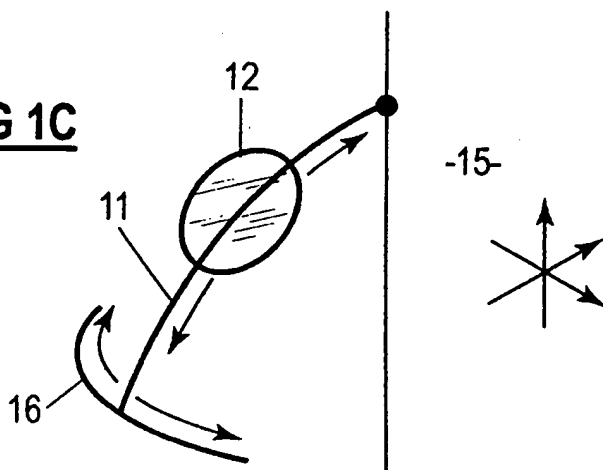


FIG 1D

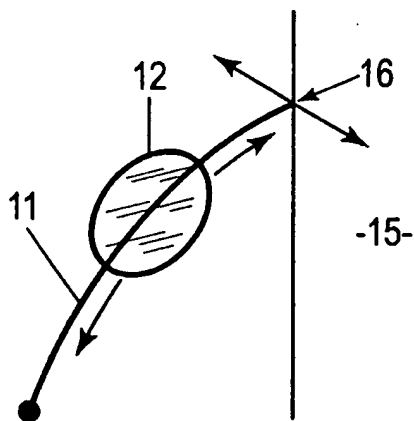


FIG 1E

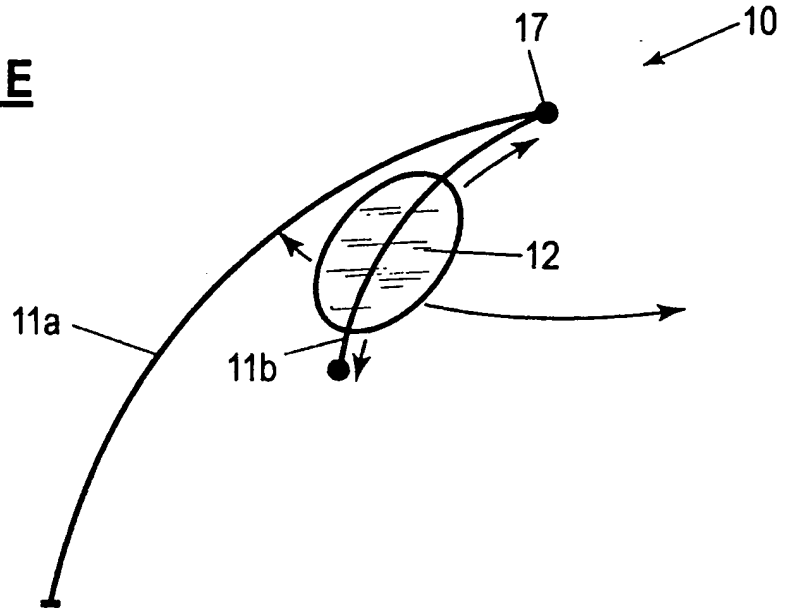
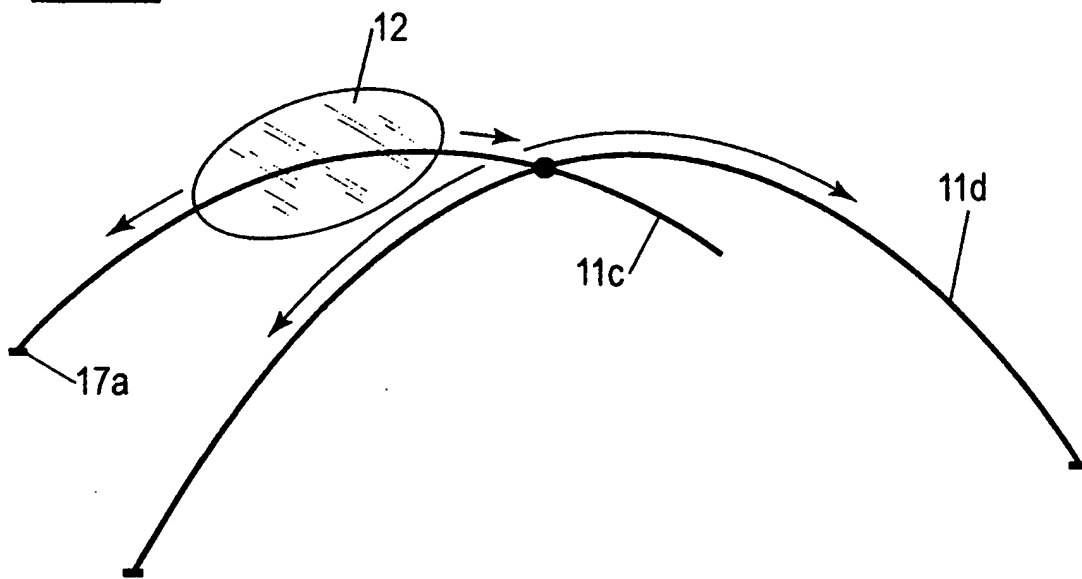


FIG 1F



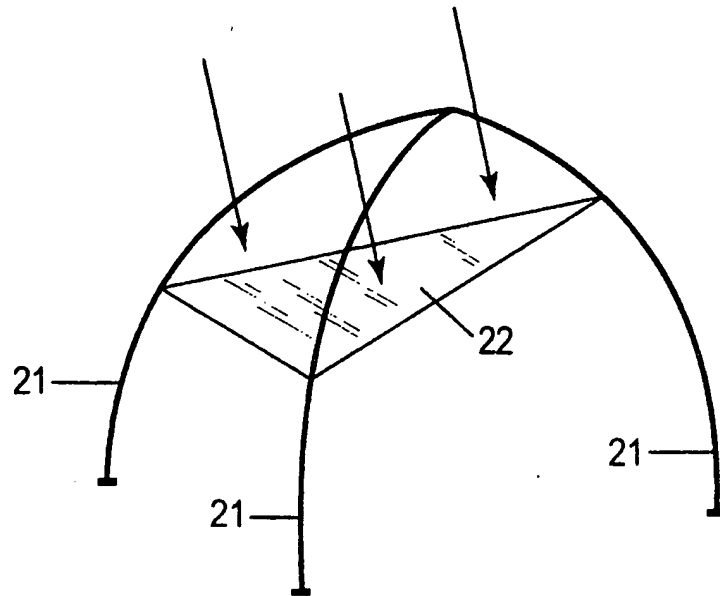
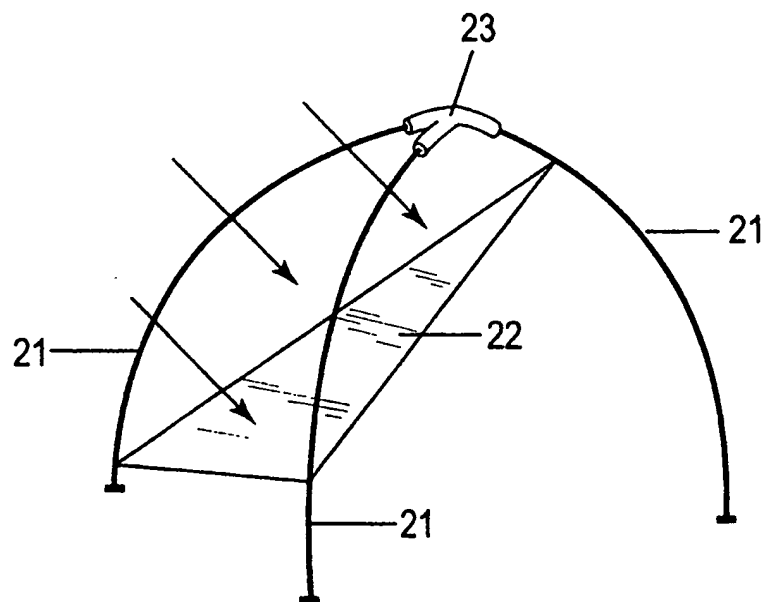


FIG 2



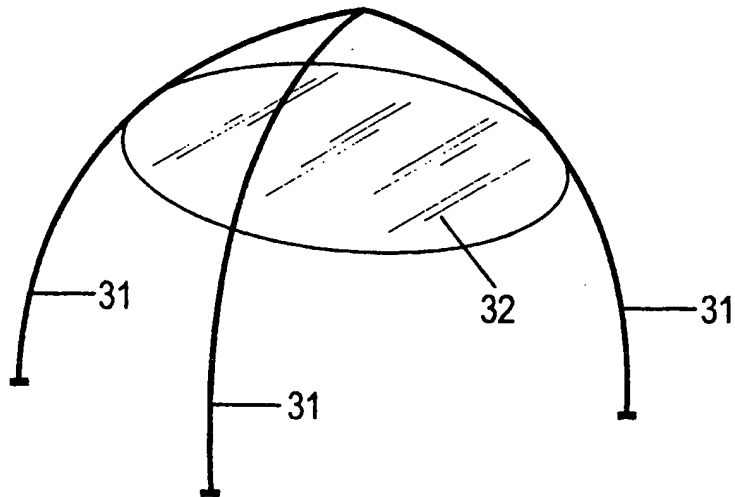
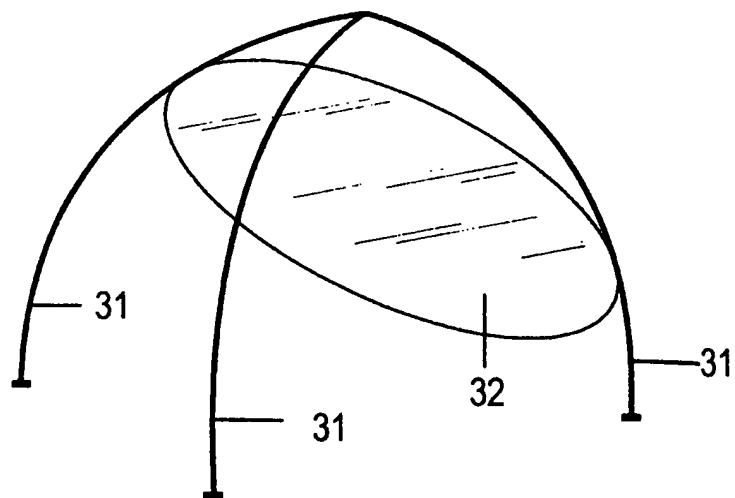


FIG 3



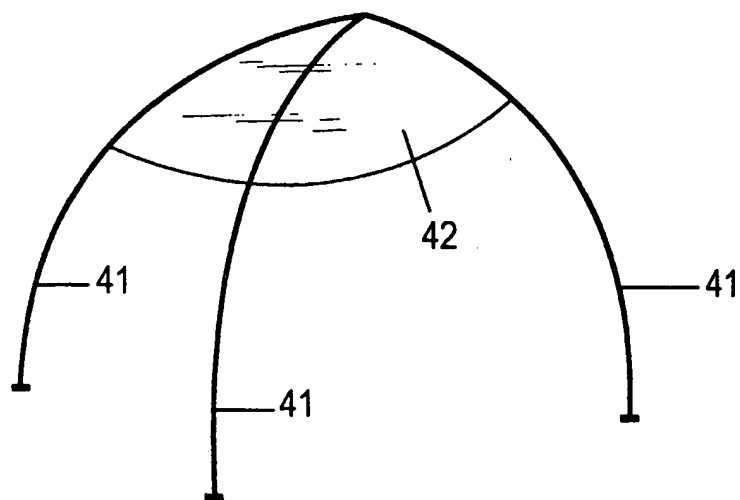
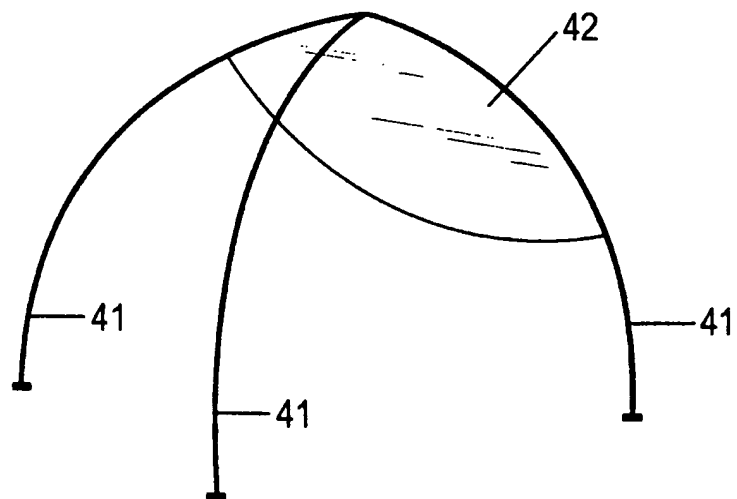


FIG 4



7/12

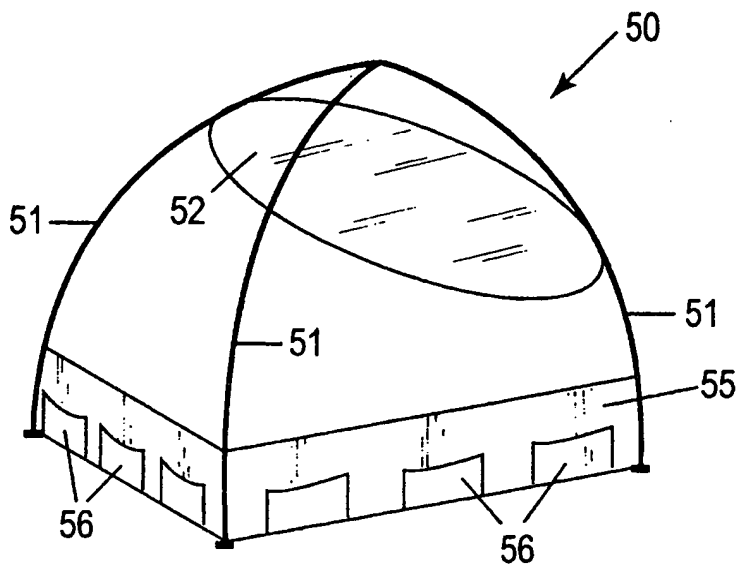


FIG 5

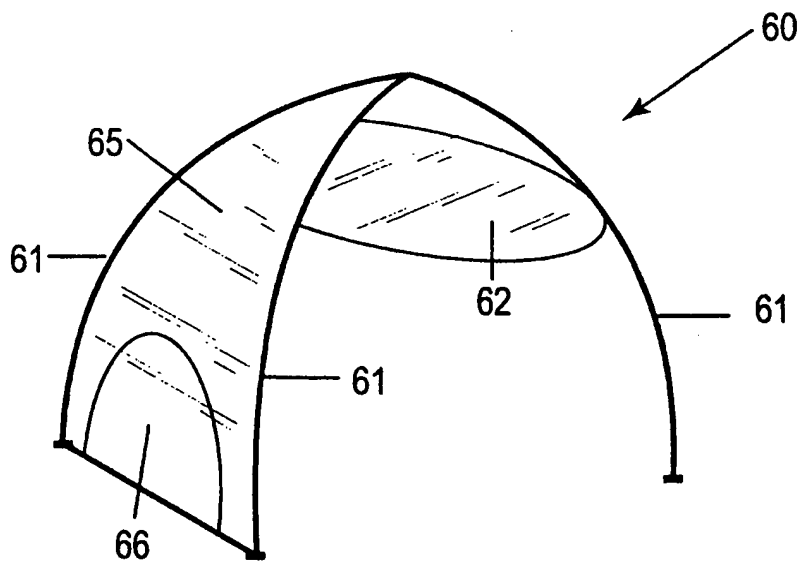


FIG 6

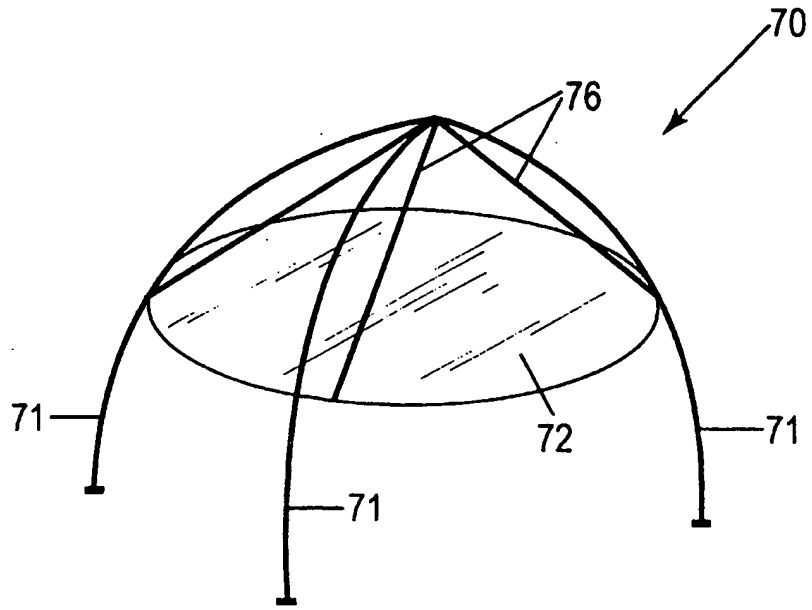


FIG 7

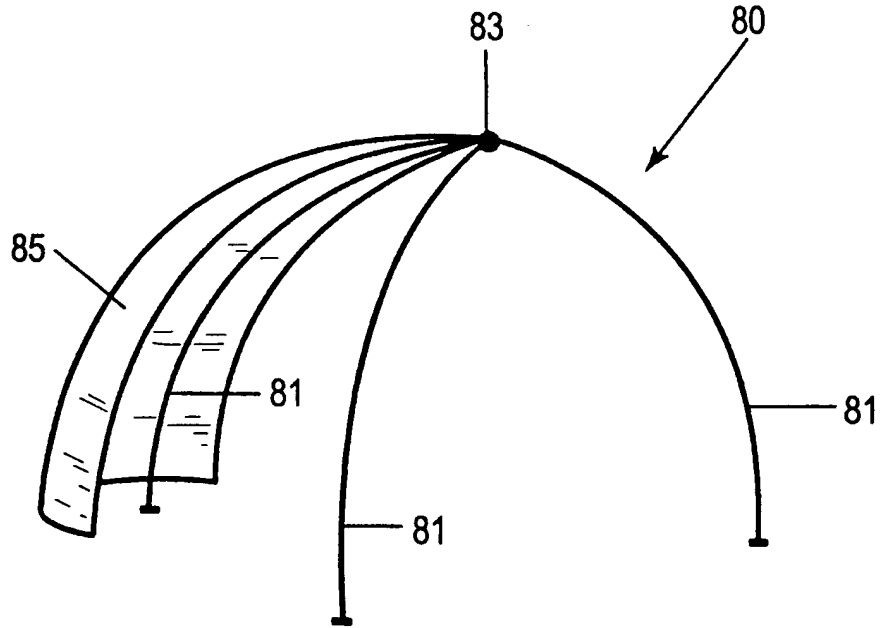


FIG 8

9/12

FIG 9

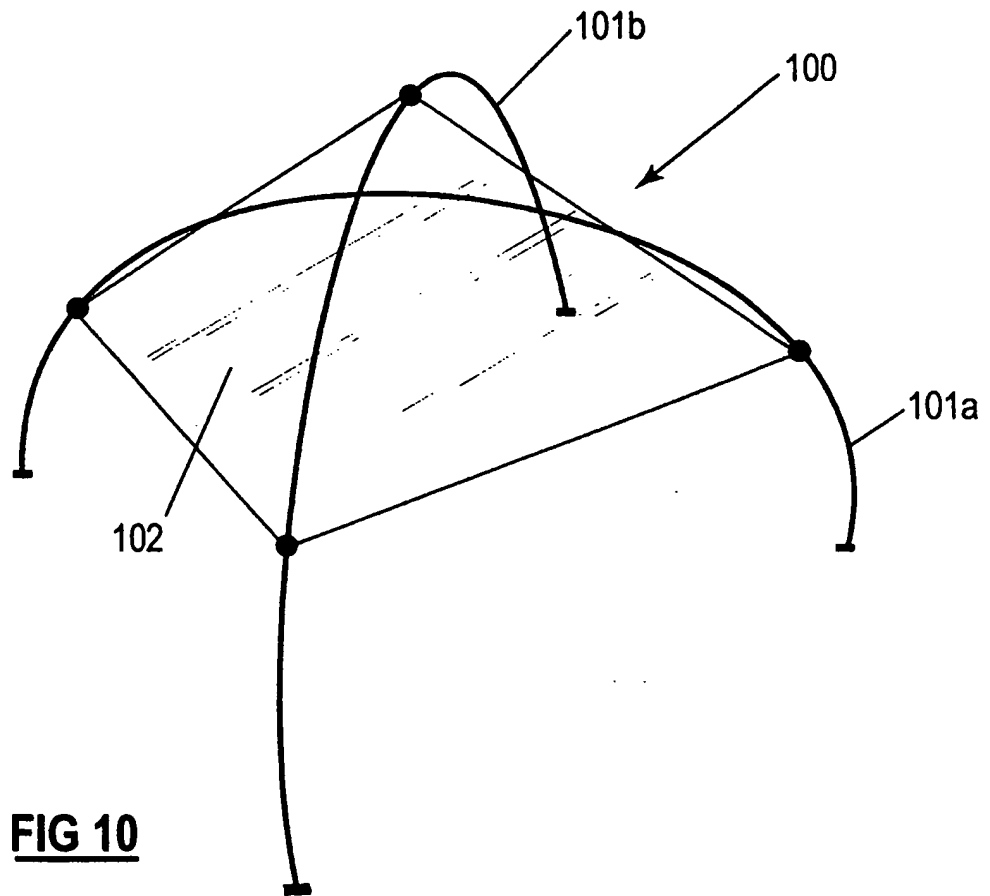
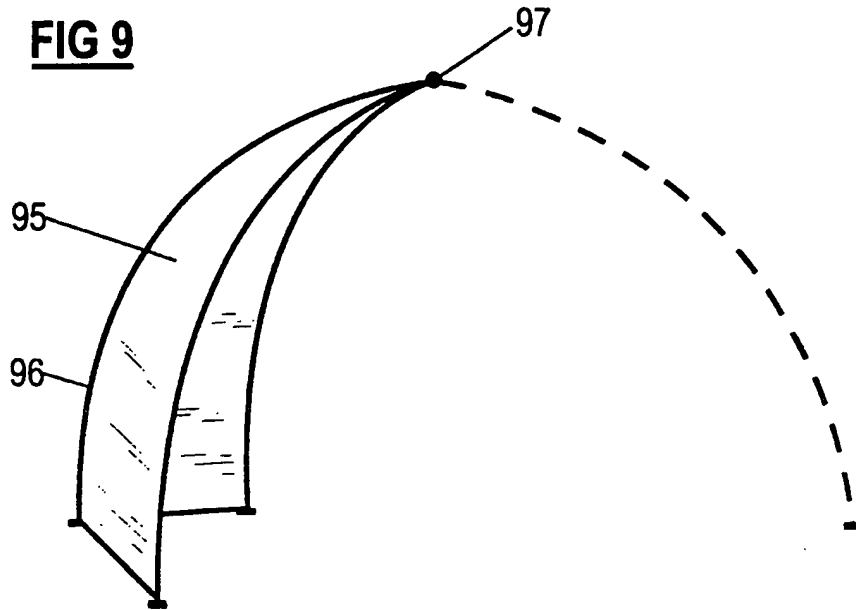


FIG 10

FIG 11 (i)

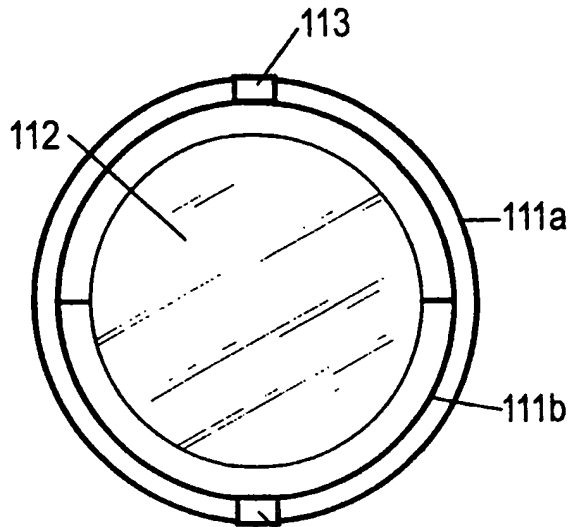


FIG 11 (ii)

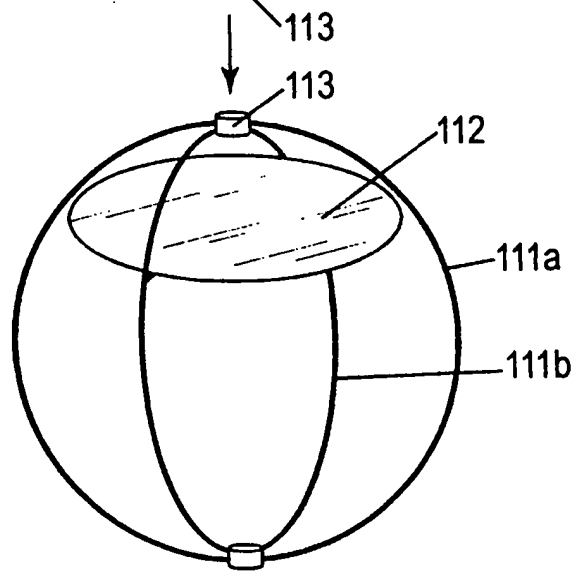
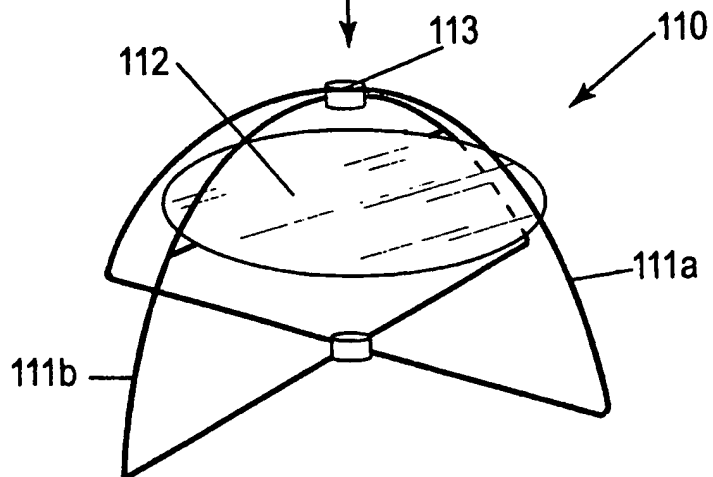


FIG 11 (iii)



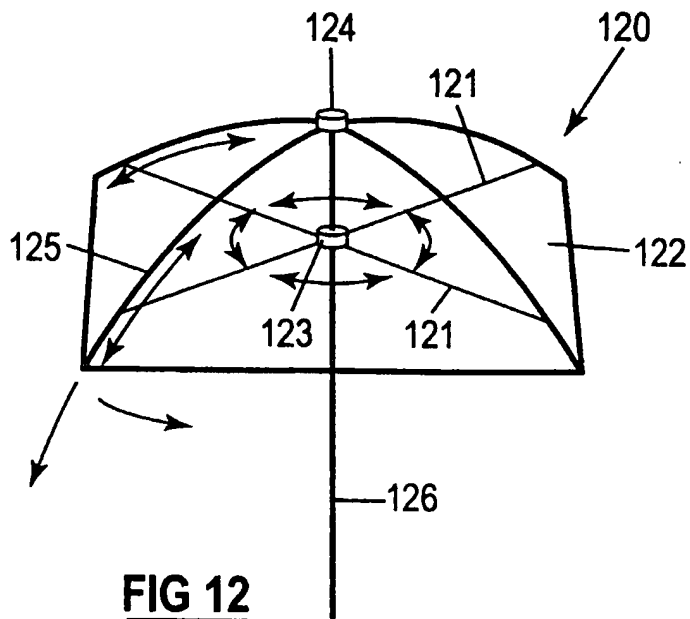


FIG 12

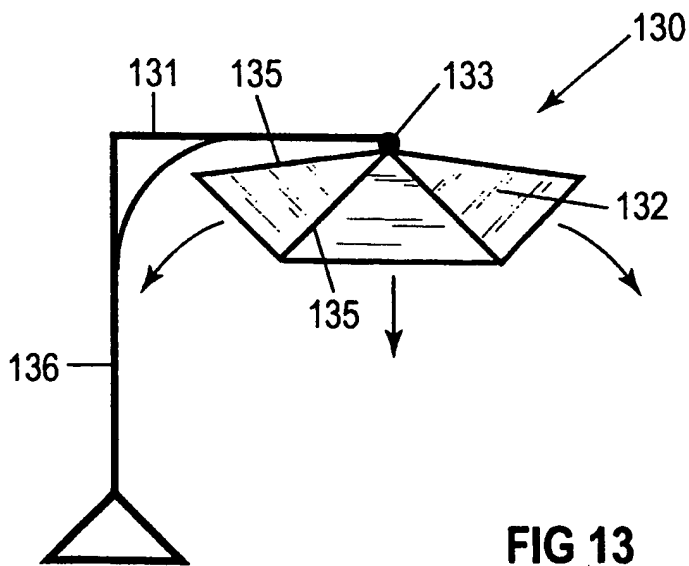


FIG 13

12/12

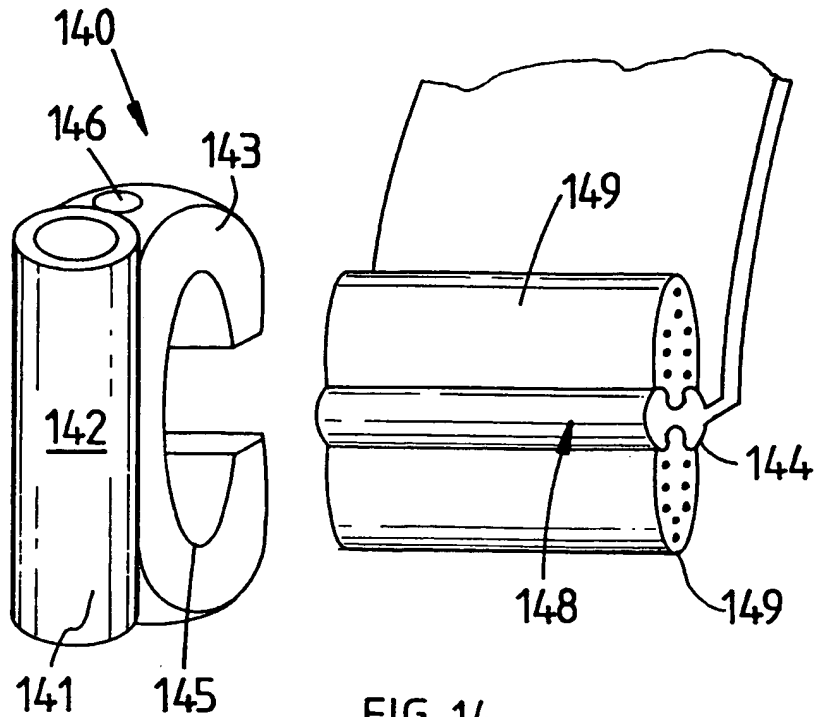
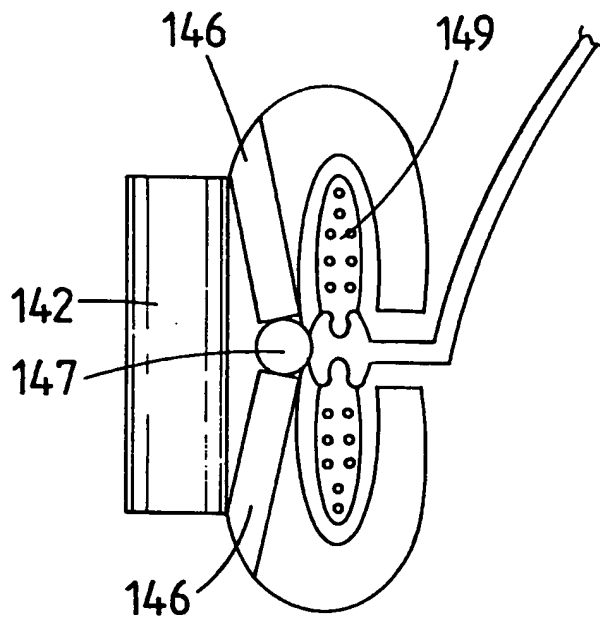


FIG 14



INTERNATIONAL SEARCH REPORT

International application No.

PCT/AU00/00203

A. CLASSIFICATION OF SUBJECT MATTER		
Int. Cl. ⁷ : E04H 15/58		
According to International Patent Classification (IPC) or to both national classification and IPC		
B. FIELDS SEARCHED		
Minimum documentation searched (classification system followed by classification symbols) IPC A45F E04F 10/- E04H 15/-		
Documentation searched other than minimum documentation to the extent that such documents are included in the fields searched AU: IPC AS ABOVE.		
Electronic data base consulted during the international search (name of data base and, where practicable, search terms used) WPAT		
C. DOCUMENTS CONSIDERED TO BE RELEVANT		
Category*	Citation of document, with indication, where appropriate, of the relevant passages	Relevant to claim No.
X	AU 27442/92 A (PITTY et al.) 6 May 1993 Page 10 line 15 to page 11 line 8	1-6, 8, 9
X	EP 691445 A (LINGE) 7 July 1995 Abstract, figures	1-3,5,6,8,9,16
X	US 4833837 A (BONNEAU) 30 May 1989 Column 2 line 53 to column 3 line 13	1-3,5,8,9,15,16
<input checked="" type="checkbox"/> Further documents are listed in the continuation of Box C <input checked="" type="checkbox"/> See patent family annex		
* Special categories of cited documents:		
"A"	document defining the general state of the art which is not considered to be of particular relevance	"T" later document published after the international filing date or priority date and not in conflict with the application but cited to understand the principle or theory underlying the invention
"E"	earlier application or patent but published on or after the international filing date	"X" document of particular relevance; the claimed invention cannot be considered novel or cannot be considered to involve an inventive step when the document is taken alone
"L"	document which may throw doubts on priority claim(s) or which is cited to establish the publication date of another citation or other special reason (as specified)	"Y" document of particular relevance; the claimed invention cannot be considered to involve an inventive step when the document is combined with one or more other such documents, such combination being obvious to a person skilled in the art
"O"	document referring to an oral disclosure, use, exhibition or other means	"&" document member of the same patent family
"P"	document published prior to the international filing date but later than the priority date claimed	
Date of the actual completion of the international search 3 May 2000		Date of mailing of the international search report 12 MAY 2000
Name and mailing address of the ISA/AU AUSTRALIAN PATENT OFFICE PO BOX 200, WODEN ACT 2606, AUSTRALIA E-mail address: pct@ipaaustralia.gov.au Facsimile No. (02) 6285 3929		Authorized officer <i>D. Melhuish</i> DAVID MELHUIH Telephone No : (02) 6283 2426

INTERNATIONAL SEARCH REPORT

International application No.

PCT/AU00/00203

C (Continuation). DOCUMENTS CONSIDERED TO BE RELEVANT		
Category*	Citation of document, with indication, where appropriate, of the relevant passages	Relevant to claim No.
X	EP 260771 A (SCHÖN) 23 March 1988 Column 2 line 18 to column 4 line 47	1,8,9,12,16

INTERNATIONAL SEARCH REPORT
Information on patent family members

International application No.
PCT/AU00/00203

This Annex lists the known "A" publication level patent family members relating to the patent documents cited in the above-mentioned international search report. The Australian Patent Office is in no way liable for these particulars which are merely given for the purpose of information.

Patent Document Cited in Search Report	Patent Family Member
AU 27442/92	
EP 691445	DE 44243033
US 4833837	DK 577/87 EP 235013 FR 2594157
EP 260771	NL 8602313

END OF ANNEX